



## User instructions

RSS Roof Edge Protection System according EN 13374 +A1 2019 Class A



# Flat roof Compact

Page 1 of 8





**ROOF SAFETY SYSTEMS BV**  
BY DROSTE BEJAH

# WORK SAFE SAVE TIME

Roof Safety Systems BV | Asjeskampweg 1 | 7772 AZ Hardenberg  
| The Netherlands | info@rss-roof.com  
| [www.rss-roof.com](http://www.rss-roof.com)



EN



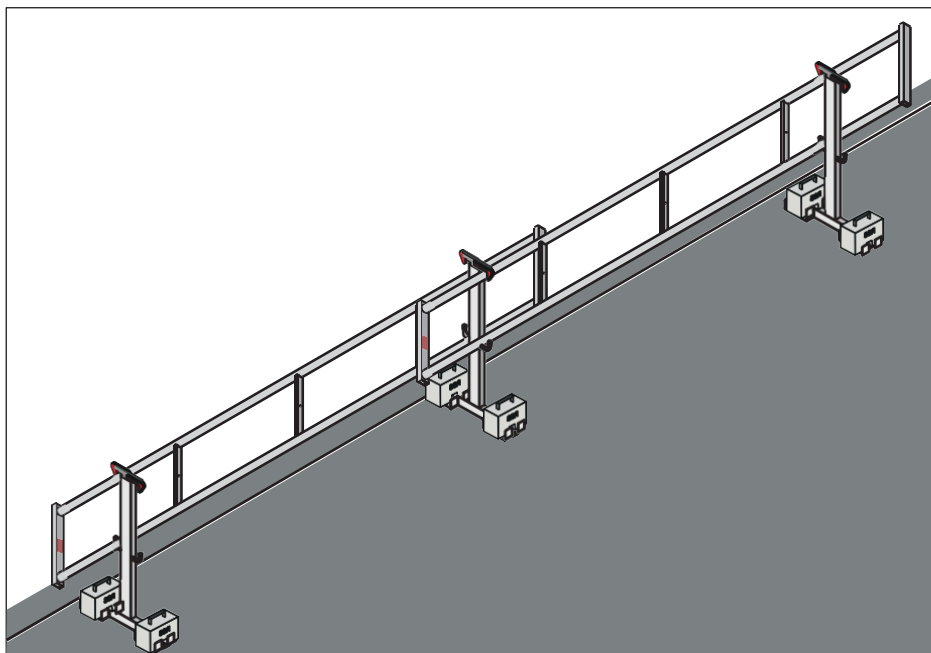
## User instructions

RSS Roof Edge Protection System according EN 13374 +A1 2019 Class A

A

### Purpose of the RSS system

According to local and European regulations, it is in most cases obliged by law that roof edges must be guarded to prevent falls when working on a roof. The RSS system is designed to realize effective collective fall protection on flat roofs.



Minimal height  
roof edge  
> 150 mm

The RSS Compact system is to be used in combination with a fence which is 4 meters long. The RSS system is, if installed according the user instructions, suitable as temporary collective roof edge protection as described in EN 13374 for the below specific situations.

The RSS system is only suitable for **flat roofs**:

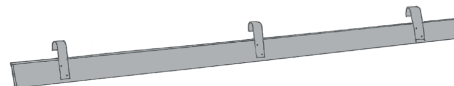
- Roof gradients up to 10 degrees
- Roof edges with a minimal height of 150 mm\*



### Attention

**The gap between the working surface and the toeboard should be maximum 150 mm!**

\* If the roof edge does not have the necessary height of 150 mm, the **RSS toeboard** should be montaged!  
(see RSS accessoires)



Part number  
**203-PD**

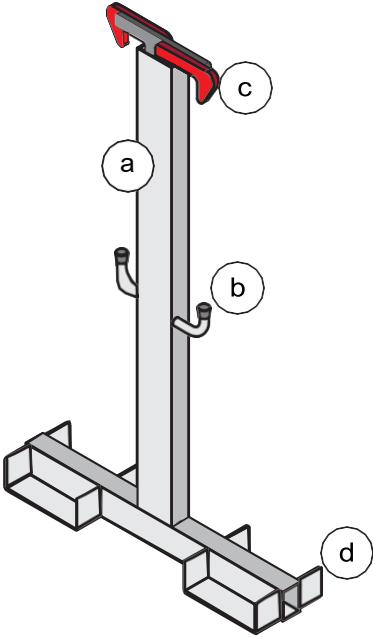


go to webshop RSS-Roof

The system should be inspected thoroughly at least once a year.  
Maintenance and inspection/control should be performed by a specialist.

**B****Components of the RSS System**

The RSS system consists of 3 components:

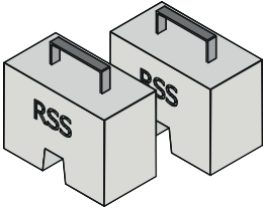


**1) Stanchion compact**

- a. Stanchion
- b. Rack support
- c. Hook
- d. Counterweight support

Total weight: 4Kg

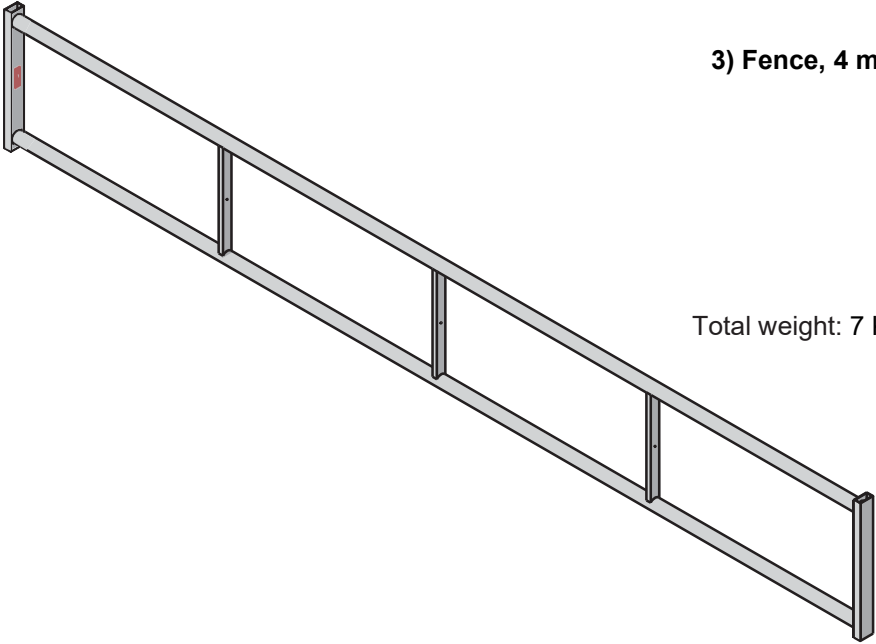
Part number <b>204</b>
---------------------------



**2) Concrete block (2x)**

Weight per concrete block: 25Kg

Part number <b>202</b>
---------------------------



**3) Fence, 4 metres**

Total weight: 7 Kg

Part number <b>201</b>
---------------------------

Total weight and load roof system (2x stanchion, 2x ballast block, 1x fence): 65 Kg

**C****Flat roof compact**

The temporary collective safety system for flat roofs complies with safety requirements conform EN 13374 +A1 2019 temporary Edge Protection Systems Class A.

class	static load [kN].			dynamic load [kN].			
	Fh1	Fh2	Fv	Roof Inclination	Fh1	Fh2	Fv
A	0.5	0.2	1.5		not applicable		

**D****Installing and Dismantling**

The RSS system offers collective fall protection.



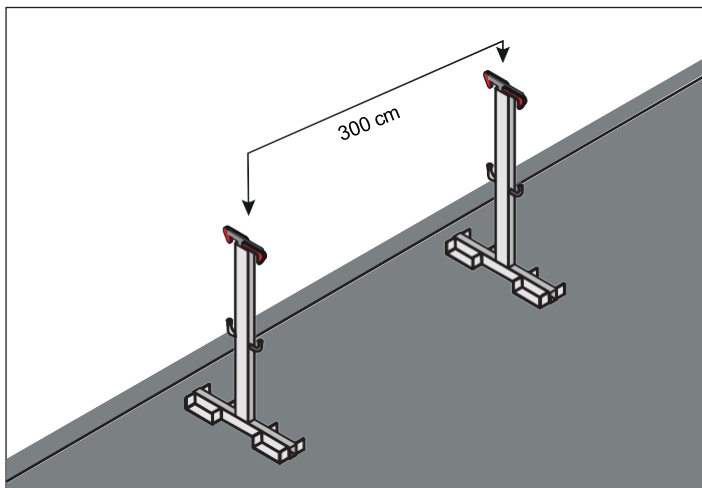
**USE INDIVIDUAL PROTECTION WHEN INSTALLING, DISMANTLING OR MOVING THE RSS SYSTEM!**

**Before assembly:**

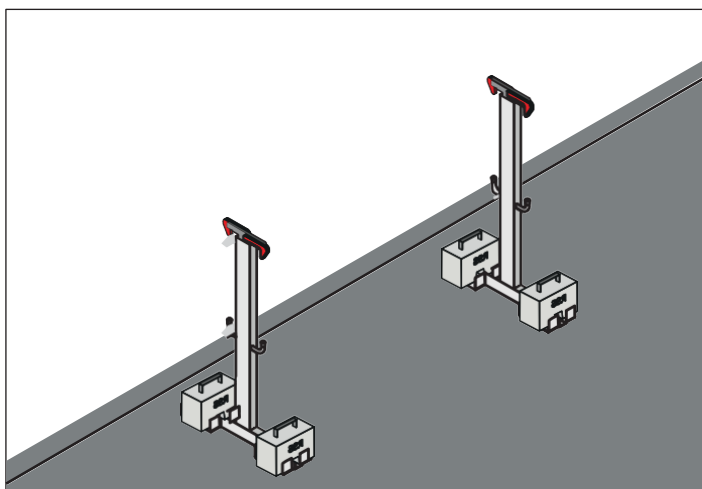
Check that all components of the RSS system to be used are free of damage and any faults. Check that the roof gradient meets the requirements for flat roofs.

**During assembly:**

Assemble 2 stanchions and 1 fence section in a safe zone and then push the whole unit to the roof edge and secure it completely with the concrete blocks.

**Assembling stanchions**

- 1** Assemble the first and second stanchions in the safe zone.
- 2** Place the second stanchion within the fence length of the first stanchion (300 cm).

**Placing ballast blocks**

- 3** Place the ballast blocks (2 ballast blocks per stanchion).

**D****Installing and Dismantling**

The RSS system offers collective fall protection.



**USE INDIVIDUAL PROTECTION WHEN INSTALLING, DISMANTLING OR MOVING THE RSS SYSTEM!**

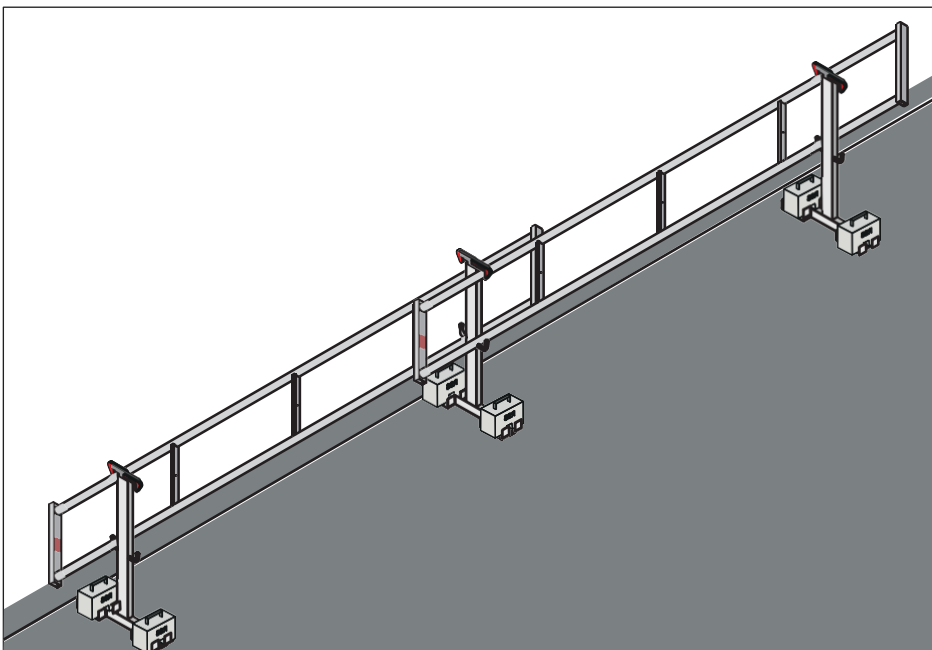
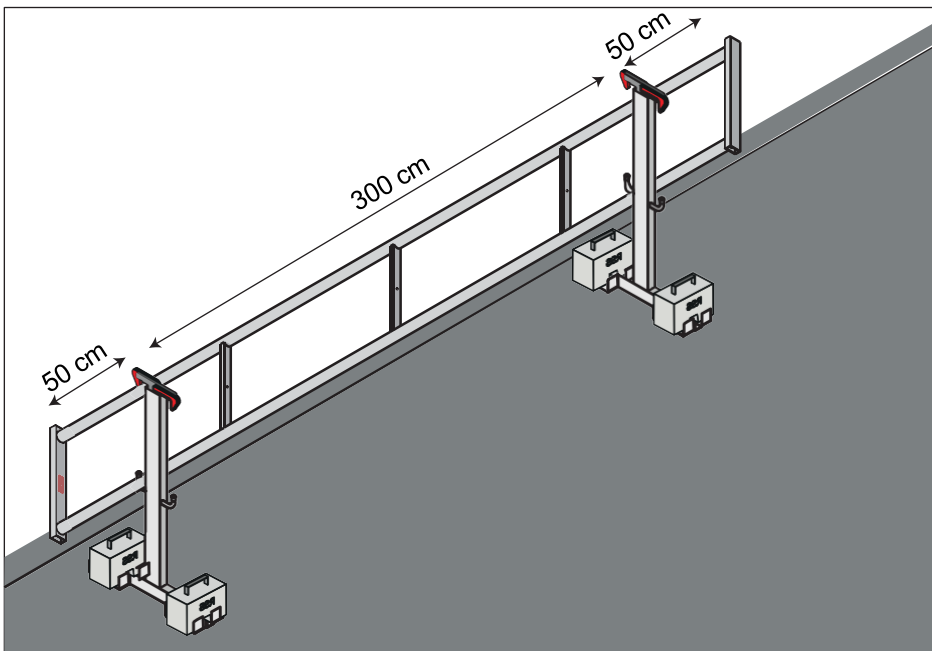
**Placing fences**

**5** Place the fence with the bottom tubes in the rack support..



**Caution:** End of fence must protrude at least 50 cm!

Turn the fence against the stanchions and lock the hooks on the first and second stanchions.



**6** Place a 2nd fence section following points 1 tot 4 inclusive.

## D Installing and Dismantling



**USE INDIVIDUAL PROTECTION WHEN INSTALLING, DISMANTLING OR MOVING THE RSS SYSTEM!**

- 7 Dismantle / break down of the system goes in reverse order.

**Note:** Each section of fence must have at least 2 stanchions as support. Stanchions must be a maximum of 3 metres apart with a fence of 4 metres.

### Corner formations

In this system, no additional items are required to secure the inside and / or outside corners.

This is done only with a new arrangement of the systems with each other:

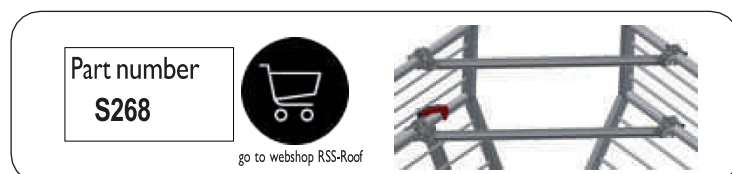
- Finish your work on the secured eaves
- Start according to the above steps with a new standard, which is under the required angle with respect to the already existing system is provided, and thus protects the inside or outside corner.
- Repeat this process for each corner; start over with a new standard every time.



### Attention



**The horizontal gap between the edge guards may not exceed 120 mm!**

With our cornerprotection S268 it is possible to secure open gaps.



## E General conditions of use



1. Never attach other elements (e.g. sails) to parts of the RSS system!
2. Dismantle the system with a wind force greater than 5 bft. Wind force 5: fresh breeze, larger branches and trees move, wind is clearly audible and has a speed of 29 to 38 km / h. 
3. During snow or sleet, the roof can be slippery and is prohibited, even with the RSS roof edge protection system, to access the roof. 
4. Only use undamaged and correctly functioning components! Before use check all the components and visually inspect them. All components should be inspected and passed by an expert yearly.
5. After a person or object has fallen towards or into the safety system or its accessories, the system may only be reused after inspection by a qualified person (EN 13374 +A1 2019).

## Important

Mandatory PPE during assembly / disassembly RSS roof edge protection system.

See our Pitched roof set basic set in accessories.

This set contains:

- safety harness with two hook-on points
- a safety line and a rope grab
- a throwline to get the kernmantel line over the roof
- a sling to create a temporary attachment point.

Part number  
**PBM-HD**



Remarks:

Max. distance to be covered: 20 m.

Can only be used when there is at least 2 m of free falling space from the foot height of the user.

- Since there is always a risk of falling during installing or disassembling of the system, this only may be carried out by instructed persons. A safe stand is always required for this work.
- Never attach other elements (such as canvas) to parts of the RSS system!
- Always use undamaged and properly functioning parts! Check all parts before use (the most important parts of the system are marked in red) and undergo a visual inspection!

## Maintenance and inspection:

All parts of the system must before usage or at least once a year undergo a expert inspection. This test must, for a appropriate occupational health and safety policy, be recorded in writing. The systems are reliable and can be used as:

- No damage or permanent changes in any form are observed.
- Bolts and split pins are in perfect condition, have good spring pressure and are functional.
- Holes and notches in the clutch plates are undamaged and ensure a good fit.
- The aluminium parts and plastic parts have no cracks or cracks other damages
- Metal parts have no corrosion damage
- The marking on the nameplates is present

Part number  
**INSP-D01**



**Download** your own inspection list (INSP-D01) for free for daily use of our website!

We are also happy to carry out the annual mandatory inspection for you.  
See our website [www.rss-roof.com](http://www.rss-roof.com).

F

Revision log

<b>stand revision</b>	<b>date</b>	<b>description</b>
2022-PLD-COM-REV001	05-01-2022	manual according to EN 13374 +A1 2019

G

Notities

---

---

---

---

---

---

---

---

---

---

---

---

---

---

---

---

---

---

---

---

---

---

---

---

---



**WORK SAFE SAVE TIME**

**ROOF SAFETY SYSTEMS BV**  
BY DROSTE BEJAH

**Roof Safety Systems bv** | Asjeskampweg 4 | 7772 AZ Hardenberg  
| The Netherlands | [info@rss-roof.com](mailto:info@rss-roof.com)  
| [www.rss-roof.com](http://www.rss-roof.com)